

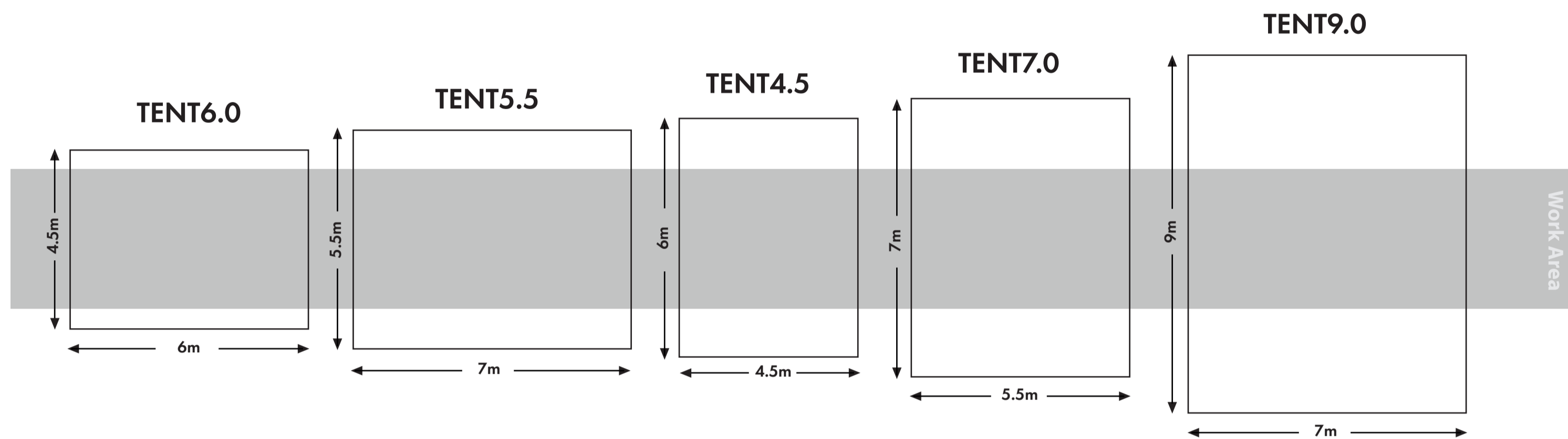
Speed Tents



Speed Tents offer concrete surface protection from rain damage and early curing on hot summer days. The surface protection created by this system means that no risks are taken, which could result in reinstatement costs due to the concrete coming in contact with the elements. This system is used by professional practitioners to ensure concrete projects in the open are completed on time and on budget.

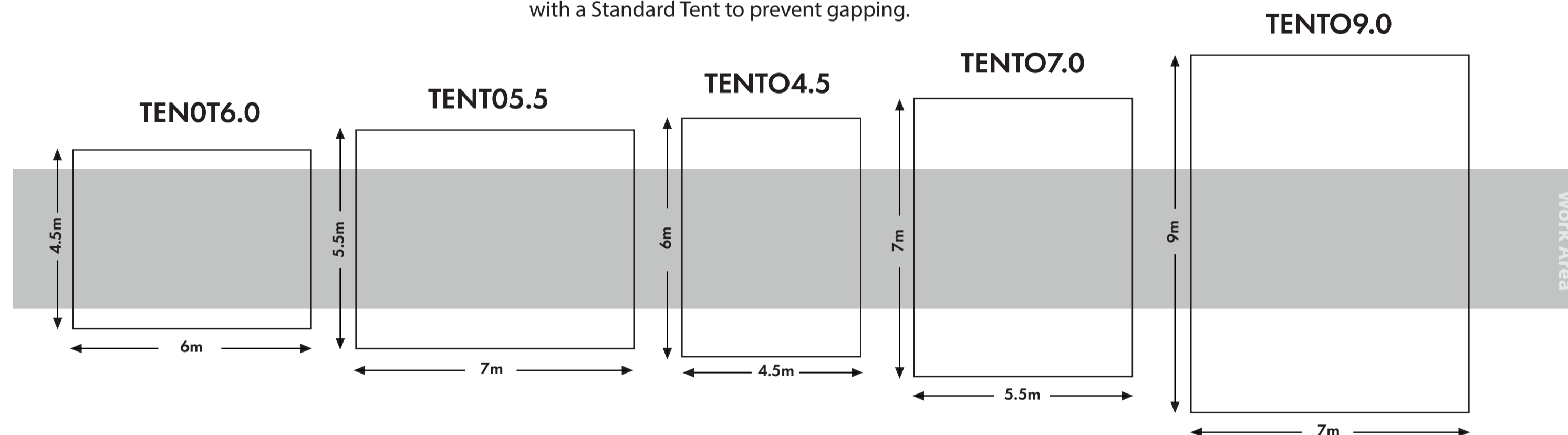
Standard Tent Sizes

The Standard Speed Tents can be used to cover a work area, when a larger area needs covering the standard sizes are combined with **Overlap** Tents. Please see Overlap Tents below.



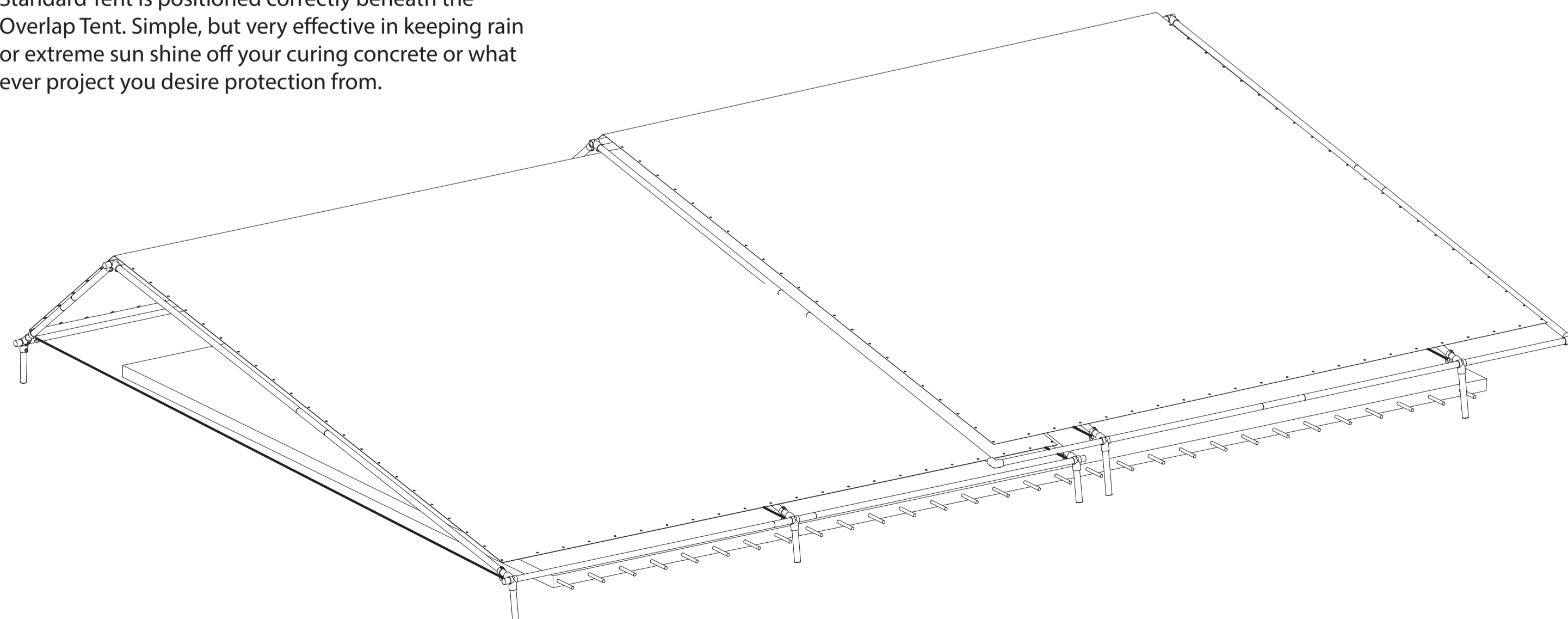
Overlap Tent Sizes

Overlap Tents have the same dimensions as Standard tents. The difference is that the Overlap Tents have slightly taller legs which are positioned 0.5m either side of the frame edge to allow an overlap with a Standard Tent to prevent gapping.



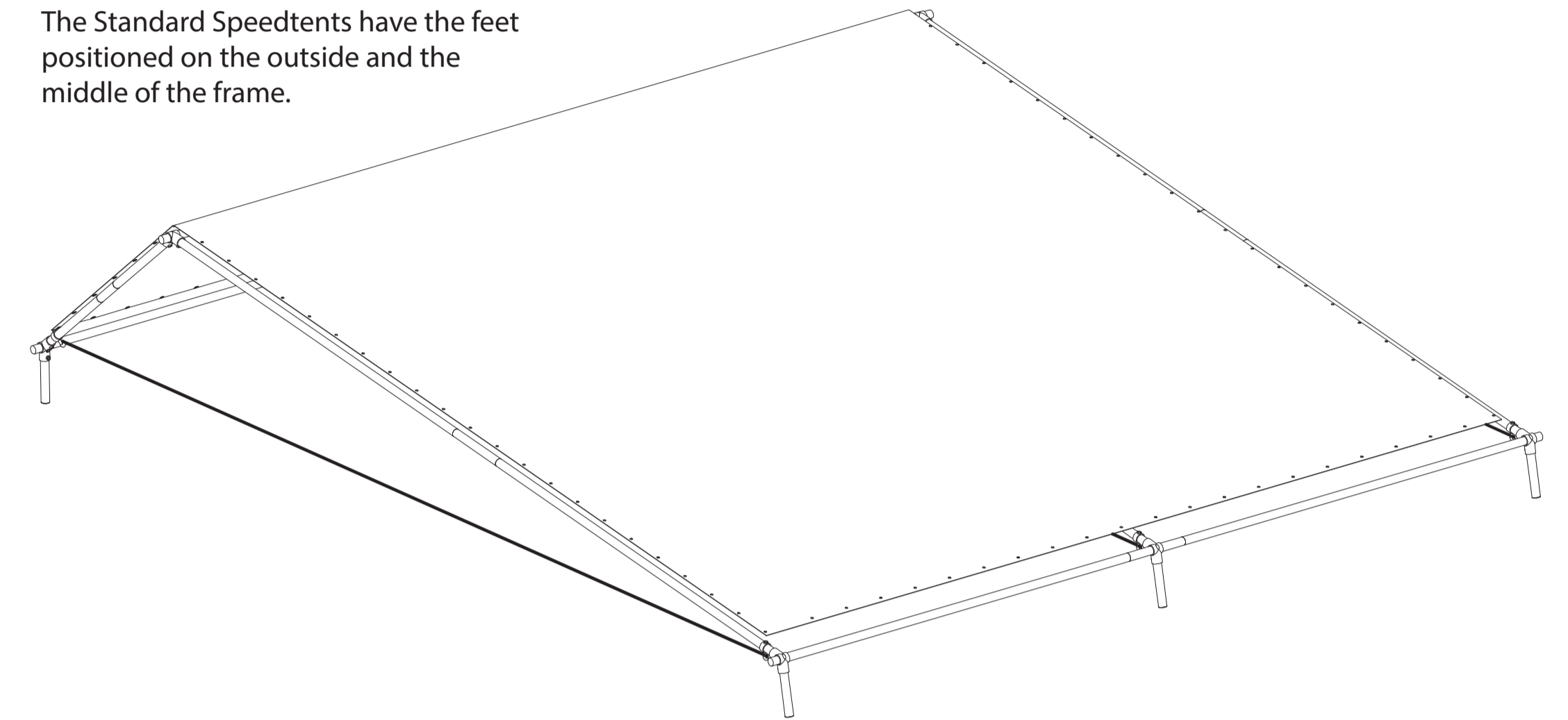
The Ideal Set-up

See the illustration below for the perfect set-up. The Standard Tent is positioned correctly beneath the Overlap Tent. Simple, but very effective in keeping rain or extreme sun shine off your curing concrete or what ever project you desire protection from.



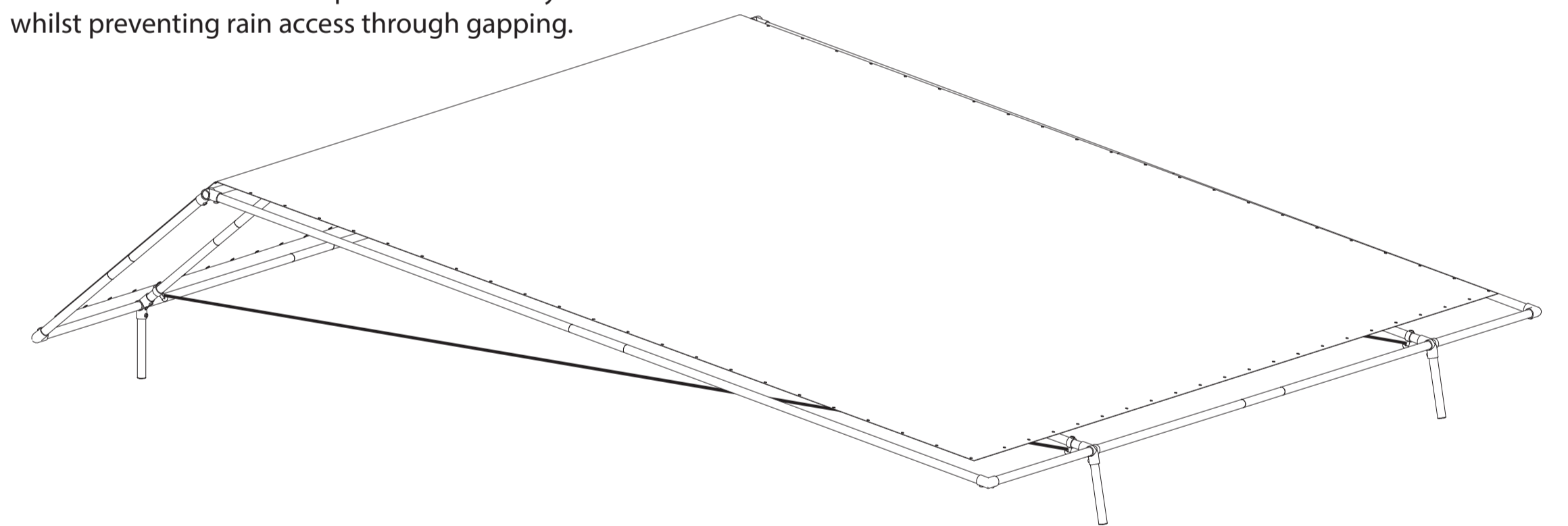
Standard Tents

The Standard Speedtents have the feet positioned on the outside and the middle of the frame.



Overlap Tents

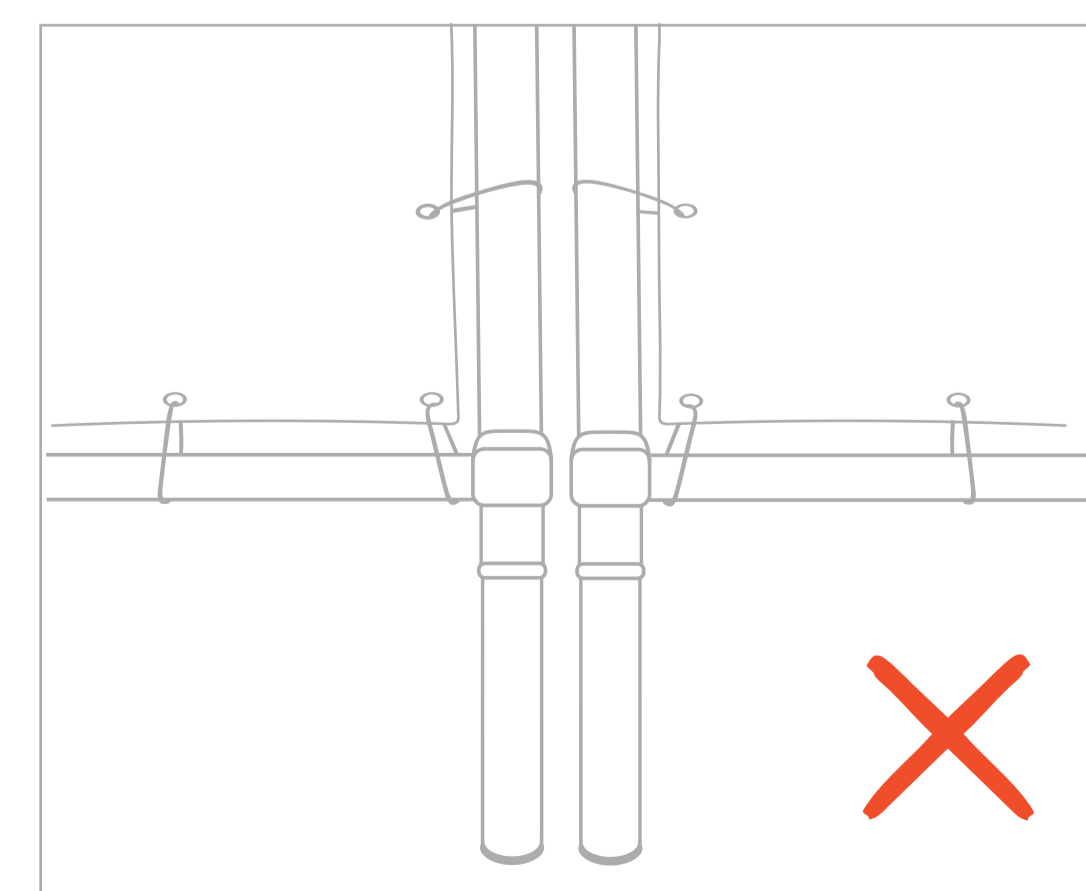
The Overlap Speedtents have feet which are slightly higher than the Standard Tents. The feet are positioned 0.5m inside of the tent frame. This allows two tents to be positioned side-by-side whilst preventing rain access through gapping.



Why alternate between Standard and Overlap Tents?

Standard Tent

The incorrect way to cover a long area when using more than one tent.



Overlap / Standard Tent Combination

The correct way to cover a long area when using more than one tent.

